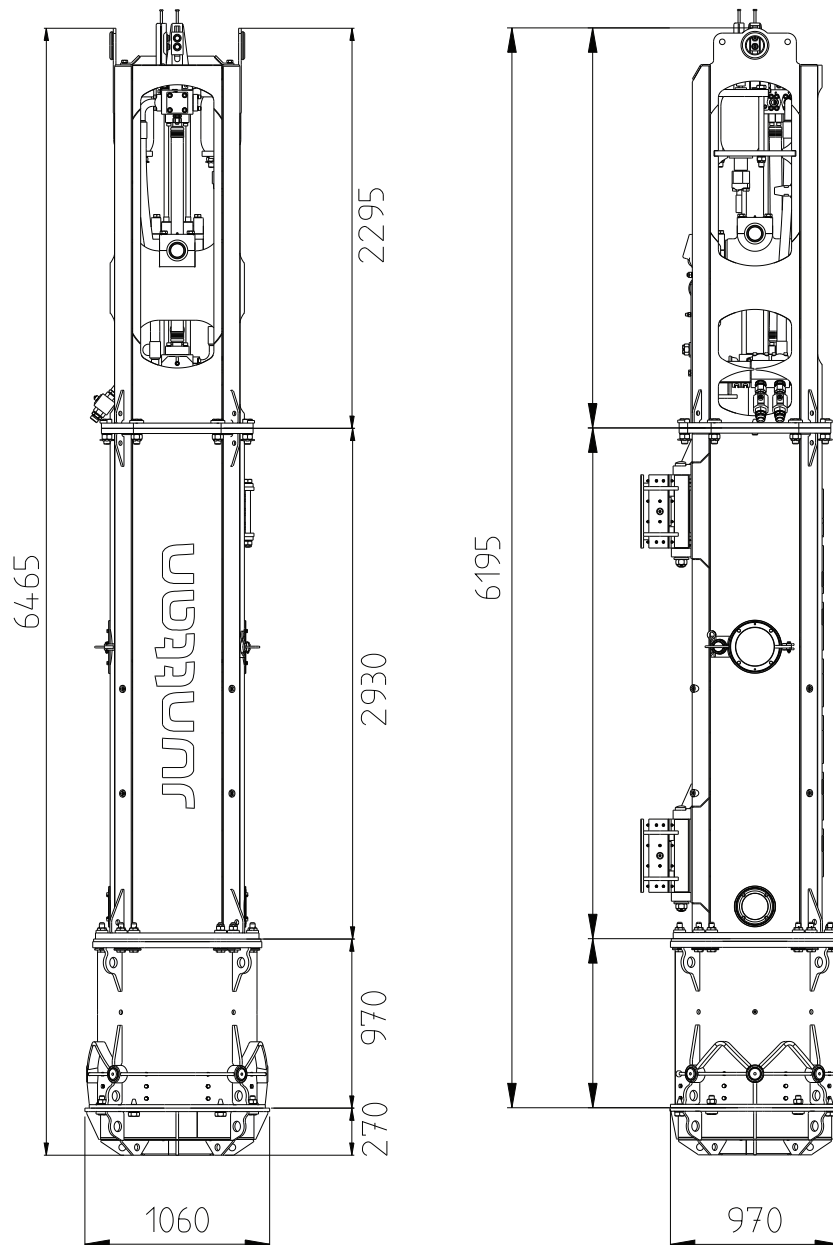


Hydraulic Impact Hammer

SHK110-5

SHK110-5/6
SHK110-5/7
SHK110-5/6/7/8
SHK110-5/7/9



JUNTTAN SHK110 - 5

Max. energy		72 kNm	52 801 ft-lb
Max drop height		1,2 m	3.94 ft
Blows per minute		50 - 120 +	50 - 120 +
Ram weight		5 000 kg	11 023 lb
Total weight			
	including noise insulation	9 600 kg	21 164 lb
	without noise insulation	9 380 kg	20 679 lb
Oil flow		469 l/min	124 gpm
Operating pressure		164 bar	2 379 psi
Theoretical power output		128 kW	174 hp
Hoses			
	- pressure line	38 mm	1 ½ inch
	- return line	38 mm	1 ½ inch
Drive cap housing (std)	Ø:	800 mm	31.5 inch
Drive cap types	A-type:	for metal tubes	for metal tubes
	B-type:	for concrete piles	for concrete piles
Drive cap max. inner diameter	A-type:	Ø 770 mm	23.6 inch
	B-type:	□ 470 x 470	18.5 x 18.5
Larger drive cap diameters available on special request			
Suitable Piling Rigs		PMx25, PM25H, PM26/28	PMx25, PM25H, PM26/28
Suitable Powerpacks		10 XCU, 15 CCU - 30 CCU	10 XCU, 15 CCU - 30 CCU

Accessories

* Guide claws	* Lifting cat
* Extensions	* Flying leader
* Energy measurement device	* Additional noise insulation package
* Additional drive caps	* Powerpacks
* Pile sleeves	

Technical details with extensions

JUNTTAN SHK110 - 5/6-9	6T	7T	8T	9T	6T	7T	8T	9T
Max. energy	86 kNm	100 kNm	115 kNm	129 kNm	63 361 ft-lb	73 921 ft-lb	84 482 ft-lb	95 042 ft-lb
Max drop height	1,2 m	1,2 m	1,2 m	1,2 m	3.94 ft	3.94 ft	3.94 ft	3.94 ft
Blows per minute	50 - 120 +	50 - 120 +	50 - 120 +	50 - 120 +	50 - 120 +	50 - 120 +	50 - 120 +	50 - 120 +
Ram weight	6 000 kg	7 000 kg	8 000 kg	9 000 kg	13 228 lb	15 432 lb	17 637 lb	19 842 lb
Total weight								
	including noise insulation	10 900 kg	12 120 kg	13 480 kg	14 550 kg	24 030 lb	26 720 lb	29 718 lb
	without noise insulation	10 680 kg	11 900 kg	13 260 kg	14 330 kg	23 545 lb	26 235 lb	29 233 lb
Oil flow	469 l/min	469 l/min	469 l/min	469 l/min	124 gpm	124 gpm	124 gpm	124 gpm
Operating pressure	197 bar	230 bar	262 bar	295 bar	2 857 psi	3 336 psi	3 800 psi	4 279 psi
Theoretical power output	154 kW	180 kW	205 kW	231 kW	209 hp	245 hp	279 hp	314 hp
Suitable Piling Rigs	PMx25, PM25H, PM26/28	PMx25, PM25H, PM26/28	PM25H, PM26/28	PM25H, PM26/28	PMx25, PM25H, PM26/28	PMx25, PM25H, PM26/28	PM25H, PM26/28	PM25H, PM26/28
Suitable Powerpacks (10 XCU, 15 CCU - 30 CCU)								

Junttan

Junttan Oy
P.O. Box 1702 (Matkuskentie 7)
FI-70701 KUOPIO, Finland

Tel. +358 10 195 221
Fax +358 17 287 4411
junttan@junttan.com