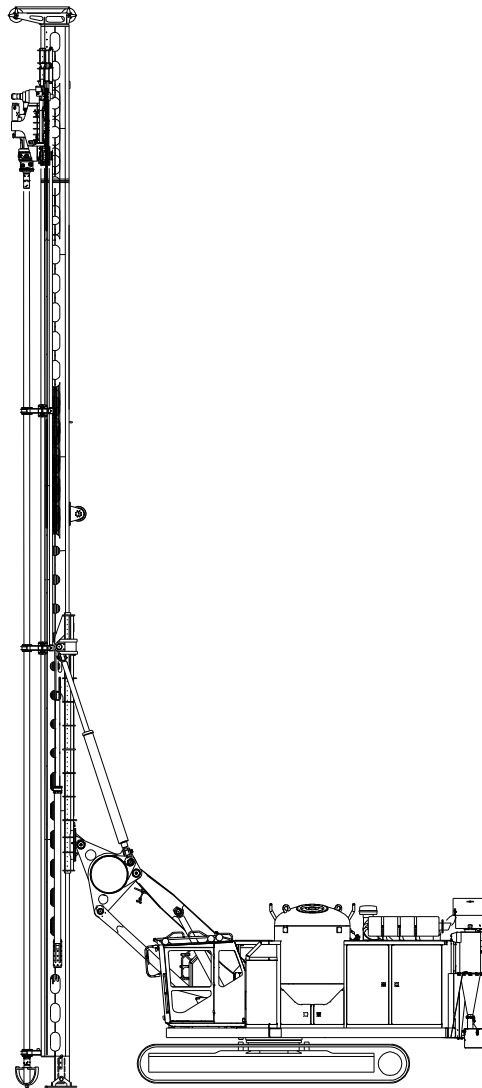


JUNTTAN

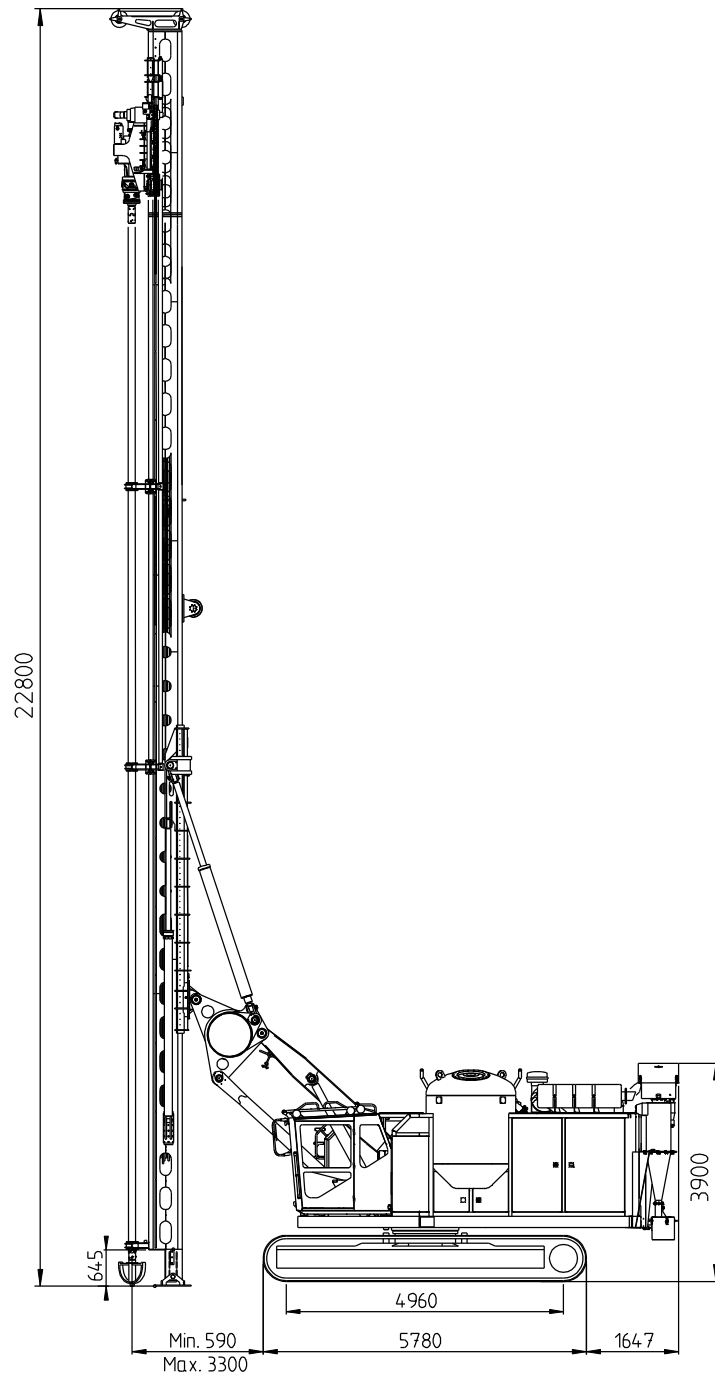
DS 18

Deep stabilization machine



Preliminary datasheet

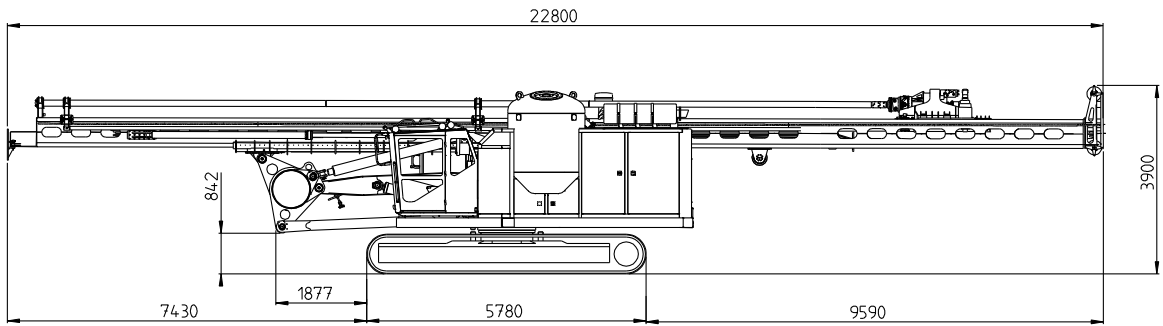
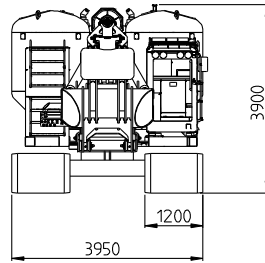
1. Main dimensions



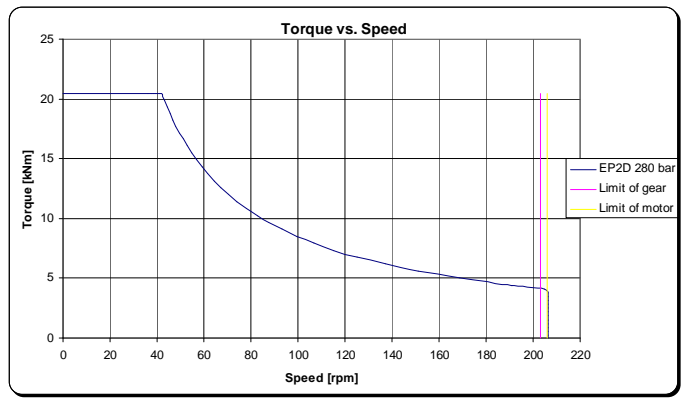
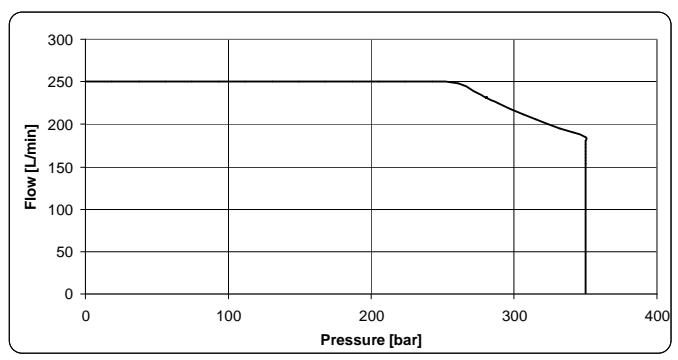
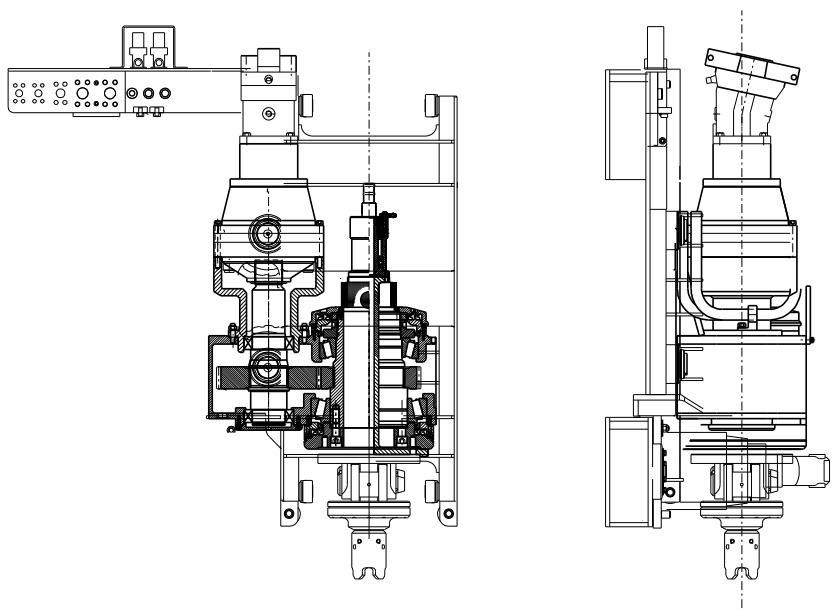
- MAX. DRILLING DEPTH

18 m

2. Transport dimensions



3. Rotary drive



4. Technical data

DS 18		
Main dimensions		
Overall height	22,8	m
Operating weight (approx. full binder tanks)	71 000	kg
Transport weight (approx. empty binder tanks)	57 000	kg
Rotary head		
		JD2
Torque	20	kNm
Rotation speed	200	rpm
Winches		
Aux. winch	20	kN
Crowd winch adjusted maximum	130	kN
Mast inclination		
Backward/forward/sideward	15/5/5	degrees
Automatic mast upright position system	+/- 2	degrees
Engine		
	Cummins QSC8,3	
Power	228	kW
Fuel tank volume	950	litres
Hydraulic system		
Hydraulic oil tank volume	950	litres
Hydraulic oil flow	2x250 + 2x200	L/min
Hydraulic pressure	300	bar
Pneumatic system		
Two separate pneumatic working circuits		
Air compressor	6800	L/min@7bar
Binder/Air tank volume	2x3800	litres
Normal working pressure	7	bar
Maximum pressure	8	bar
Undercarriage		
Undercarriage track width (max/min)	3950/4920	mm
Width of track shoes	1200	mm