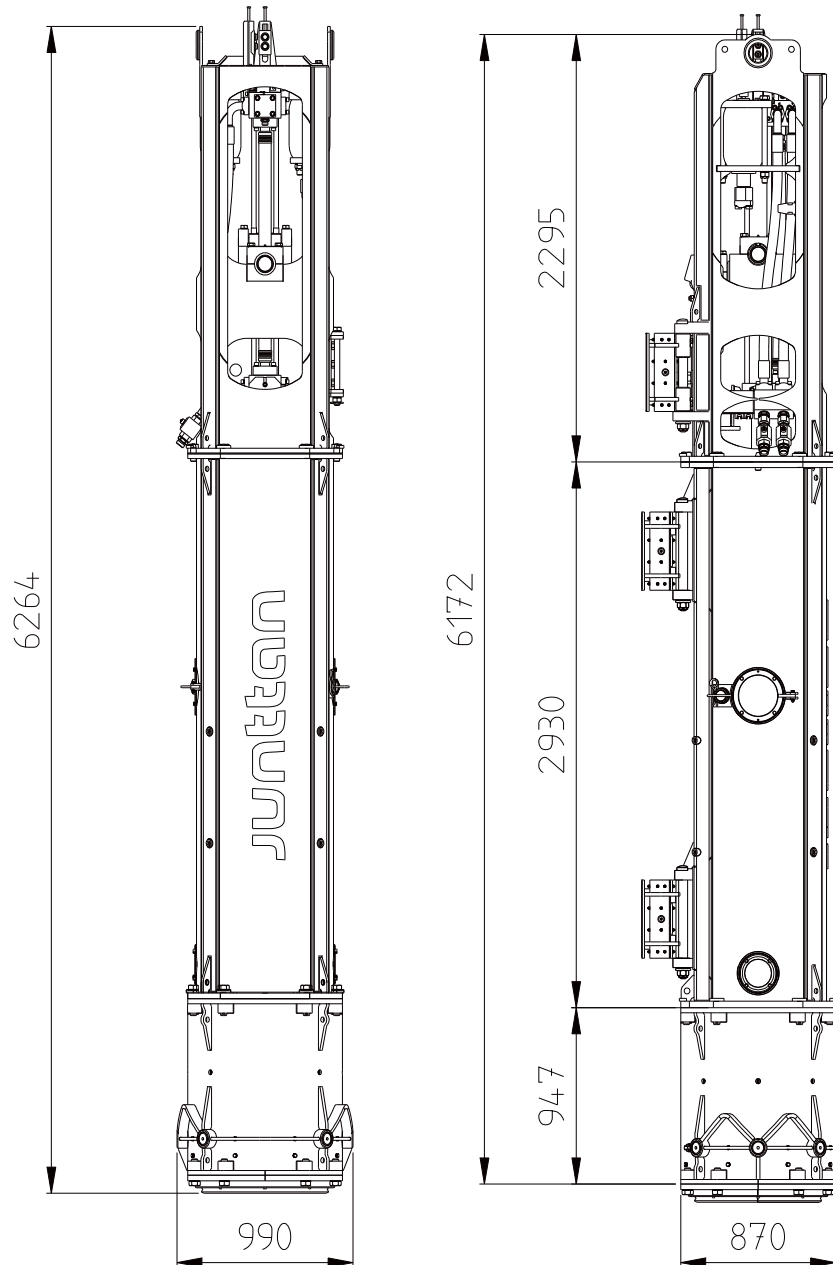


Hydraulic Impact Hammer

SHK100-5

SHK100-5/6



JUNTTAN SHK100 - 5

Max. energy		61 kNm	44 845 ft-lb
Max drop height		1,2 m	3.94 ft
Blows per minute		60 - 140 +	60 - 140 +
Ram weight		5 000 kg	11 023 lb
Total weight			
	including noise insulation	9 250 kg	20 393 lb
	without noise insulation	8 890 kg	19 599 lb
Oil flow		392 l/min	104 gpm
Operating pressure		243 bar	3 524 psi
Theoretical power output		159 kW	216 hp
Hoses			
	- pressure line	38 mm	1 ½ inch
	- return line	38 mm	1 ½ inch
Drive cap housing (std)	Ø:	800 mm	31.5 inch
Drive cap types	A-type:	for metal tubes	for metal tubes
	B-type:	for concrete piles	for concrete piles
Drive cap max. inner diameter	A-type:	Ø 620 mm	23.6 inch
	B-type:	□ 470 x 470	18.5 x 18.5
Larger drive cap diameters available on special request			
Suitable Piling Rigs		PMx20, PMx22, PMx24, PM23	PMx20, PMx22, PMx24, PM23
Suitable Powerpacks		10 XCU, 15 CCU - 30 CCU	10 XCU, 15 CCU - 30 CCU

Accessories

* Guide claws			* Lifting cat
* Extensions			* Flying leader
* Energy measurement device			* Additional noise insulation package
* Additional drive caps			* Powerpacks
* Pile sleeves			

Technical details with extensions

JUNTTAN SHK100 - 5/6	6T	6T
Max. energy	73 kNm	53 824 ft-lb
Max drop height	1,2 m	3.94 ft
Blows per minute	60 - 140+	60 - 140+
Ram weight	6 000 kg	13 228 lb
Total weight		
	including noise insulation	22 994 lb
	without noise insulation	22 201 lb
Oil flow	392 l/min	104 gpm
Operating pressure	292 bar	4 235 psi
Theoretical power output	191 kW	259 hp
Suitable Piling Rigs	PMx20, PMx22, PMx24, PM23	PMx20, PMx22, PMx24, PM23
Suitable Powerpacks	10 XCU, 15 CCU - 30 CCU	10 XCU, 15 CCU - 30 CCU

Junttan

Junttan Oy
P.O. Box 1702 (Matkuksentie 7)
FI-70701 KUOPIO, Finland

Tel. +358 10 195 221
Fax +358 17 287 4411
junttan@junttan.com