

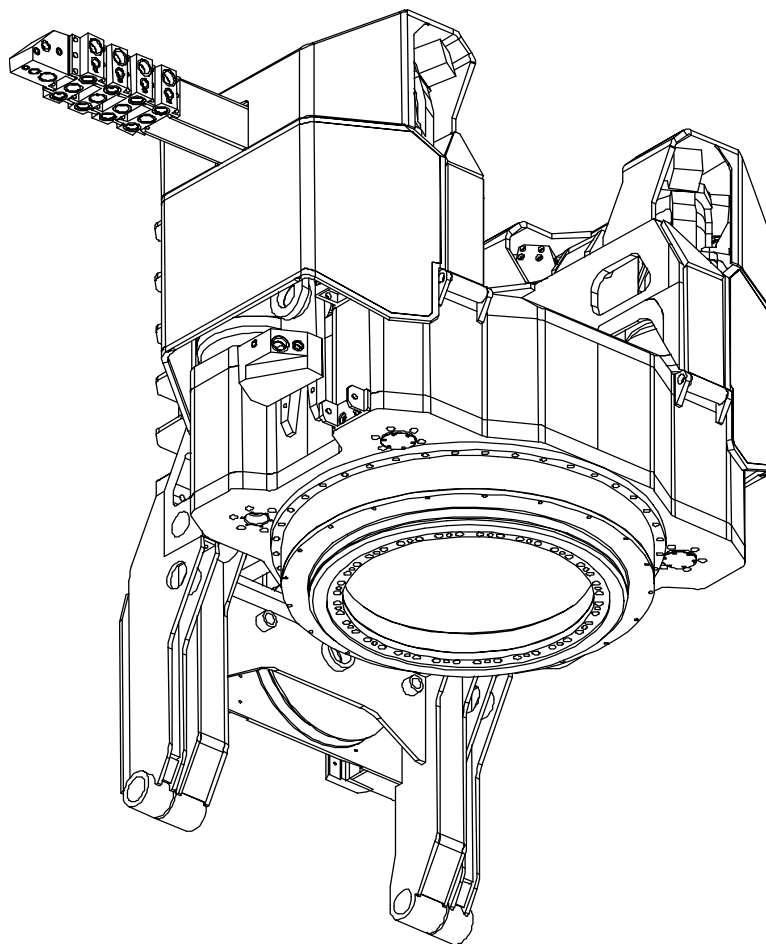
**Junttan Rotary Head JD40B**

Max. operation pressure  
Max. torque  
Max. rotation speed  
Max. oil flow  
Max. axial forces

320 bar  
400 kNm  
35 rpm  
700 l/min  
1000 kN up  
400 kN down  
~10750 kg

Weight (with flexible joint)

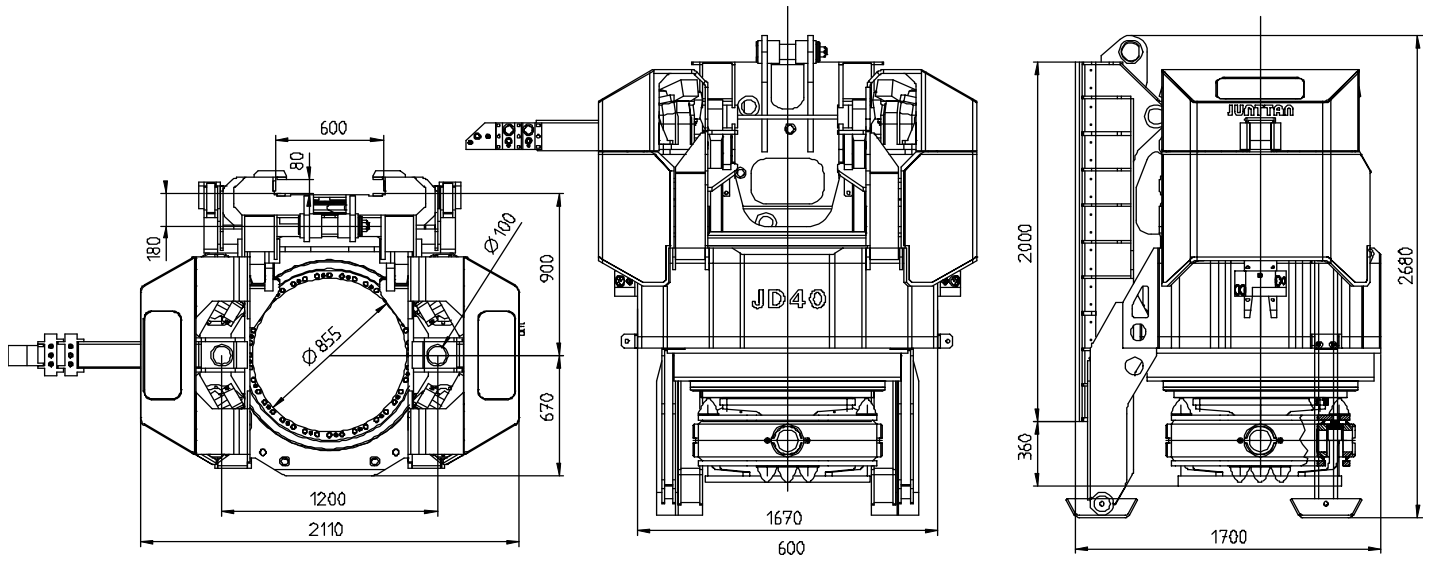
Four axial piston motors, variable displacement. Electric or hydraulic control.



# JUNTTAN

JUNTTAN OY, Leväsentie 2, FIN-70700 KUOPIO, FINLAND  
Mail Address P.O. Box 1702, FIN-70701 KUOPIO, FINLAND  
Tel: +358 17 287 4400, Fax: +358 17 287 4411  
[www.junttan.com](http://www.junttan.com) [junttan@junttan.com](mailto:junttan@junttan.com)

# JD40B Dimensions:



Scale 1:40

# JD40B Output table:

