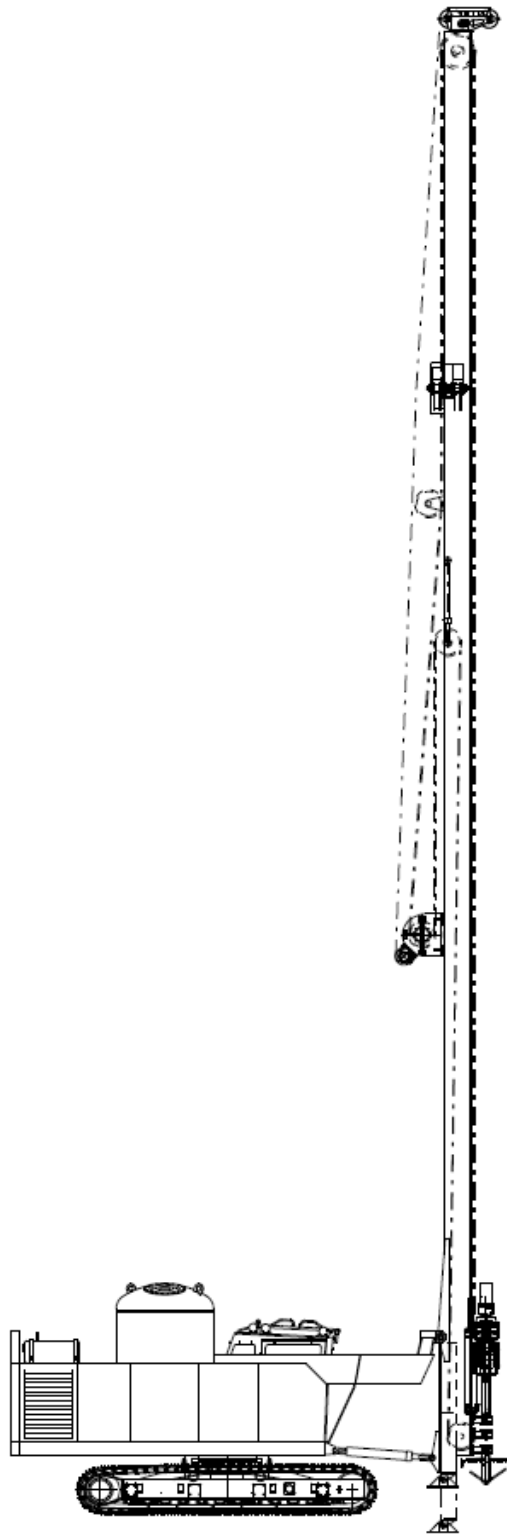
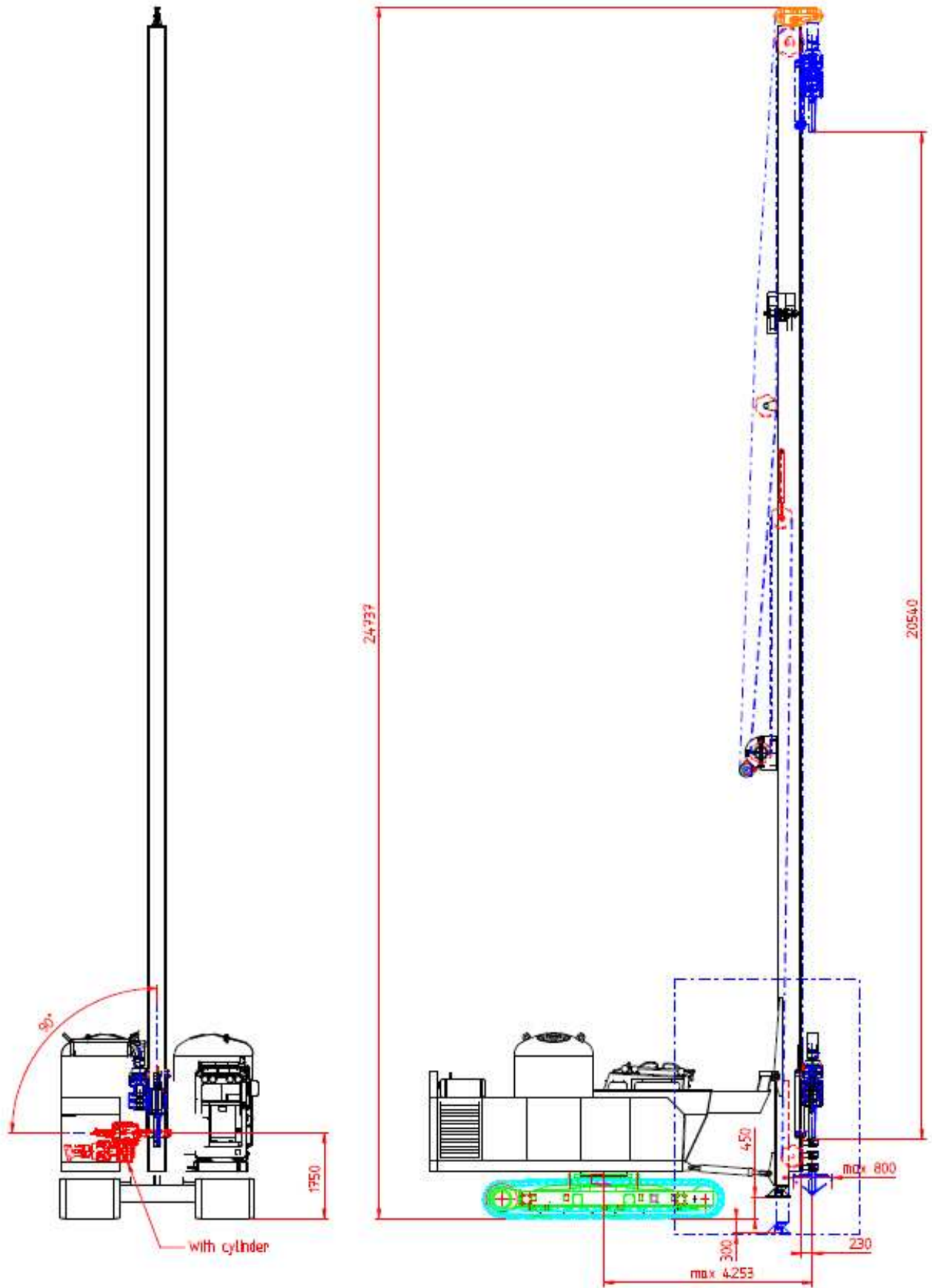


JUNTTAN

DSx15

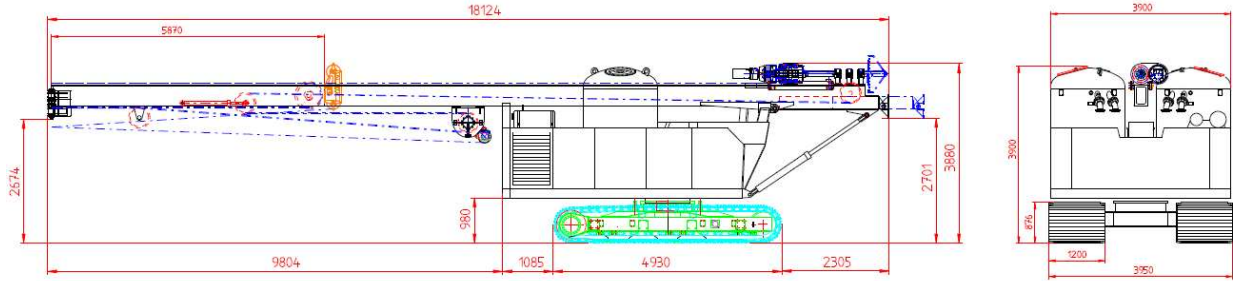


1.Main dimensions

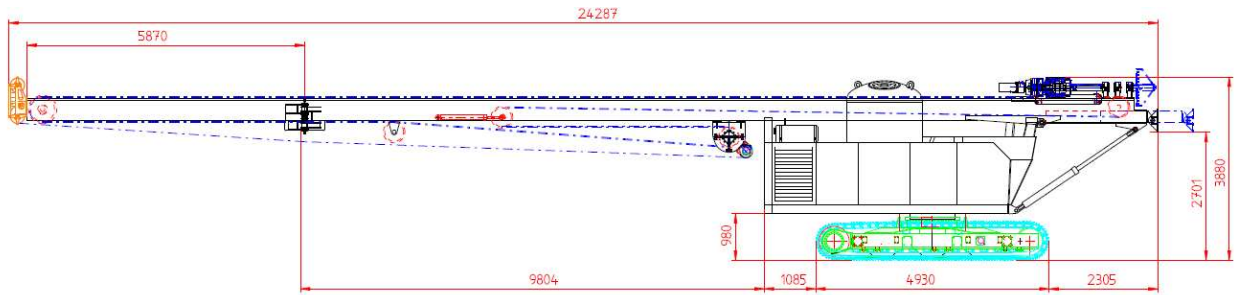


2. Transport dimensions

Dsx15 2010 Fig 3.
Transport

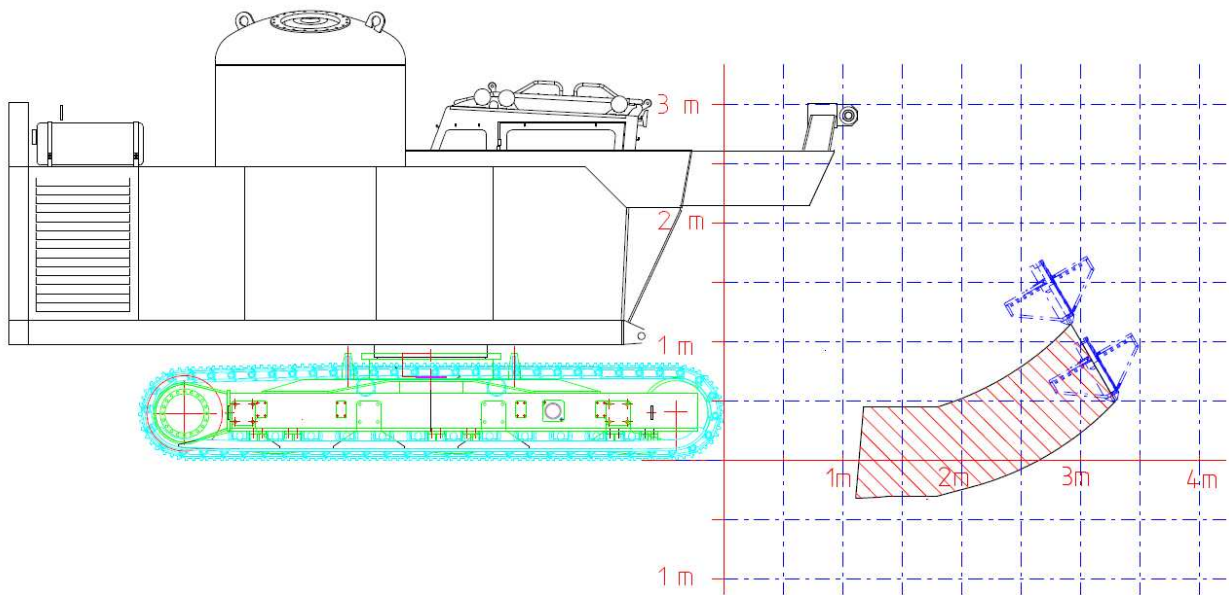


14.06.2010 .JHy



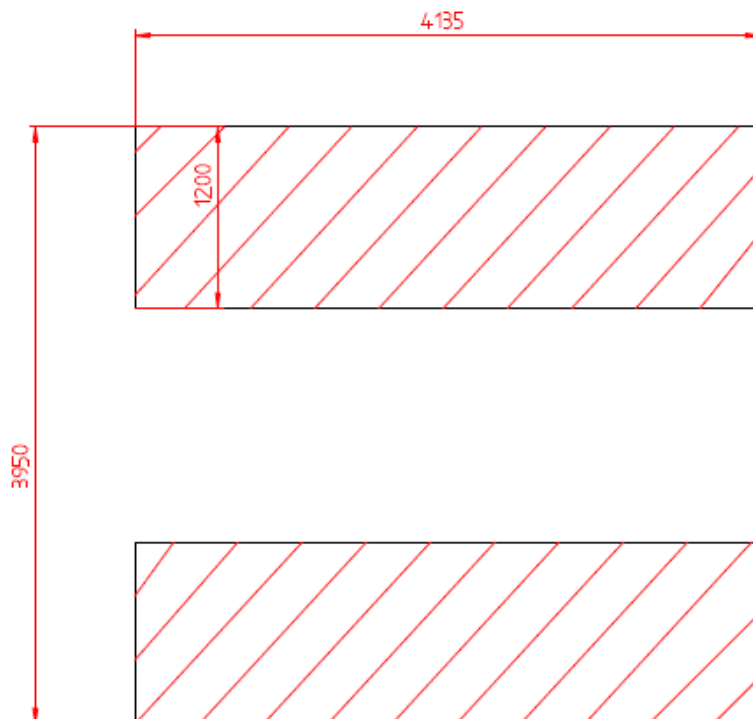
14.06.2010 .JHy

3. Work startup positions



DSx15

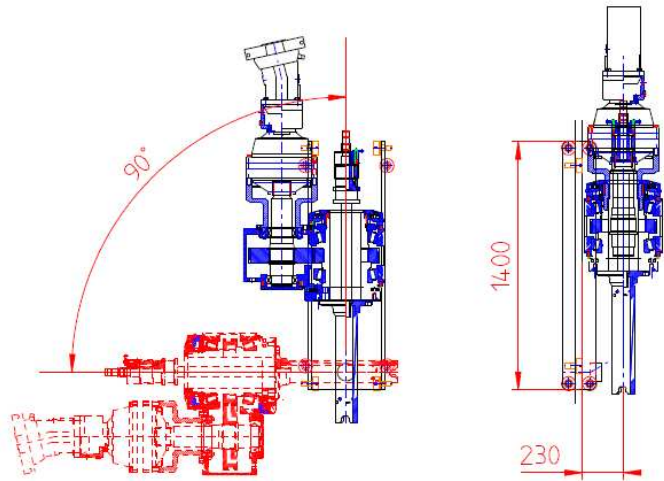
Pinta paine max (14 t sideaineen kanssa)
 $m = 35\text{ t} + 14\text{ t} = 49\text{ t}$



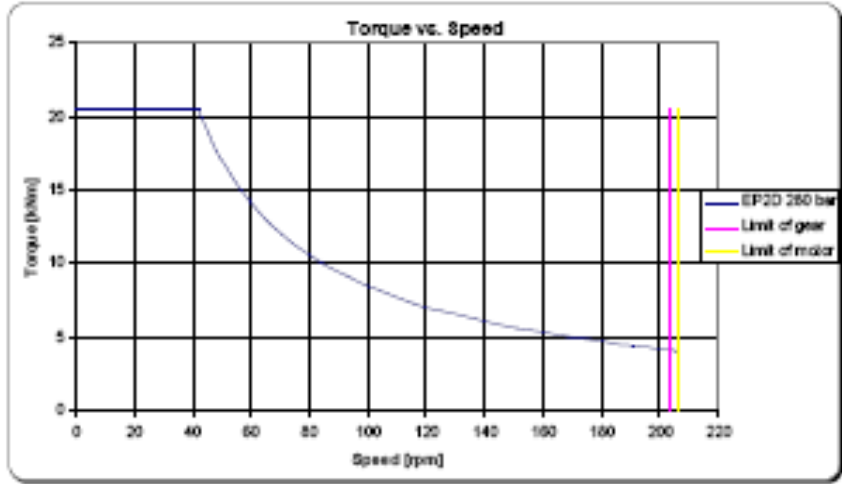
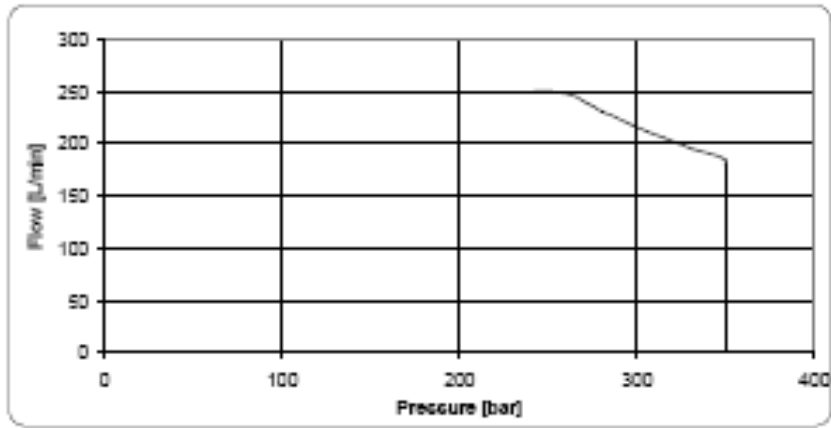
Pinta paine on 4940 kg/m²

4. Rotary drive

JD2 Drill



14.06.2010 JHy



5. Technical data

DS15

Main dimensions

Overall height	4050mm
Overall width	3950mm
Track width	3950mm
Transport length	18,2 m / 24,7m
Operating weight (approx.full binder tanks)	42-46 ton
Operating height (approx.)	24m
Transport weight (approx. empty binder tanks)	35 ton

Rotary head JD2

Torque	20 kNm
Rotation speed	200 rpm

Winches

Aux. winch	10 kNm
Crowd winch adjusted maximum	60 kNm

Mast

Inclination backward / forward / sideward	15/5/5
Electronic inclinometer	
Maximum pile length	20 meters

Engine

Cummins QSC 8,3 tier 3	
Power	228 kW
Fuel tank volume	600 ltr

Hydraulic system

Hydraulic tank volume	600 ltr
Hydraulic flow	2 *200ltr + 2*250ltr @2000rpm
Hydraulic pressure	300 bar

Pneumatic system

Two separate pneumatic working circuits	
Air compressor	6800 ltr/min @ 7 bar
Binder / air tank volume	2 * 3800 litres
Normal working pressure	7 bar
Maximum pressure	8 bar

Under carriage

Track width distance	3950 mm
Width of track shoes and model	1200 mm, triple grouse with bended edges
Crawler length	4930mm