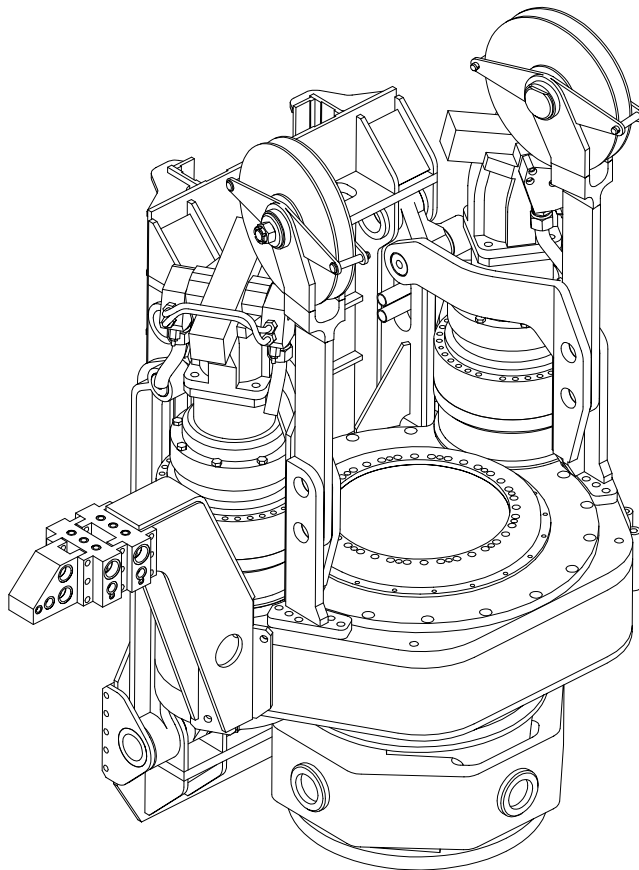


Junttan Rotary Head JD20

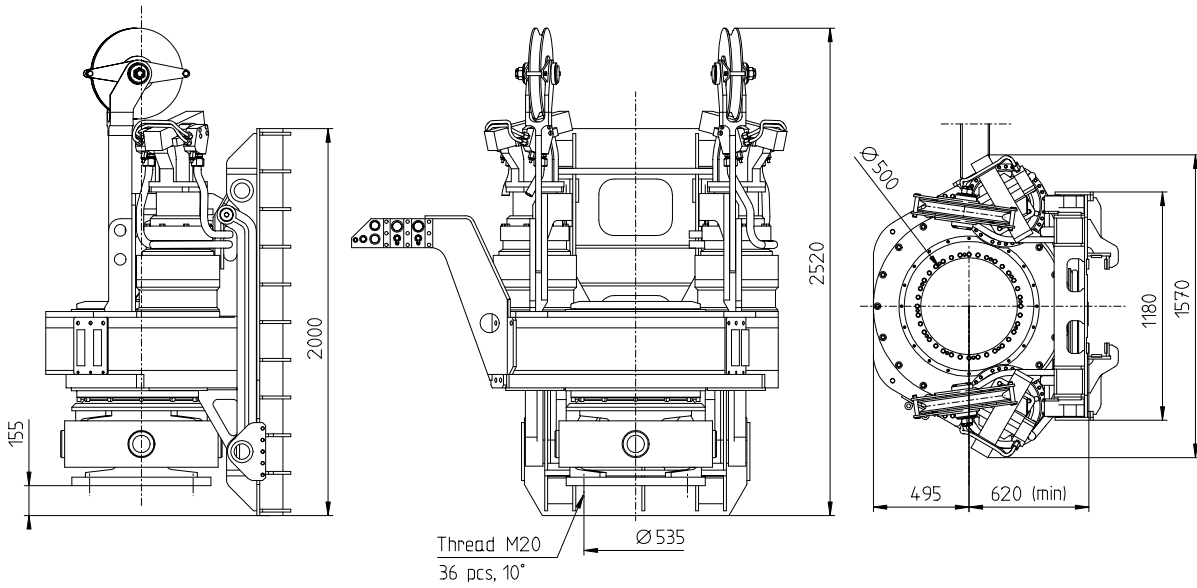
Max. operation pressure	350 bar
Max. torque	200 kNm
Max. drilling speed	36 rpm
Max. oil flow	350 l/min
Max. axial forces	600 kN up 200 kN down
Weight (with cardan joint)	5500 kg

Two axial piston motors, variable displacement. Electric or hydraulic control.

**JUNTTAN**

JUNTTAN OY, Leväsentie 2, FIN-70700 KUOPIO, FINLAND
Mail Address P.O. Box 1702, FIN-70701 KUOPIO, FINLAND
Tel: +358 17 287 4400, Fax: +358 17 287 4411
www.junttan.com junttan@junttan.com

JD20 Dimensions:



Scale 1:40

JD20 Output table:

